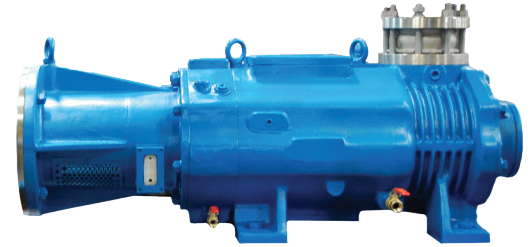


Models

SDV-800

Features

- Patented variable pitch rotor design
- No oil or water in contact with process gases
- No metal-to-metal contact between operating parts
- Space saving C-face motor design eliminates need for motor coupling and guard
- Short gas path through the pump for quick discharge
- Quiet operation ≤ 85 dB(A)
- PEEK coated internals reduce damage from corrosive or condensable gases



Materials of Construction

Non-Process-Wetted Surfaces:

Ductile iron, uncoated

Process-Wetted Surfaces:

Ductile iron, PEEK coating

Timing Gears:

Alloy steel, precision ground, helical type

SHAFT SEALS:

Drive End: Mechanical seal & lip seal

Non-Drive End: Triple lip seals

Drive Shaft: Mechanical seal

O-rings: Kalrez® compound 6375

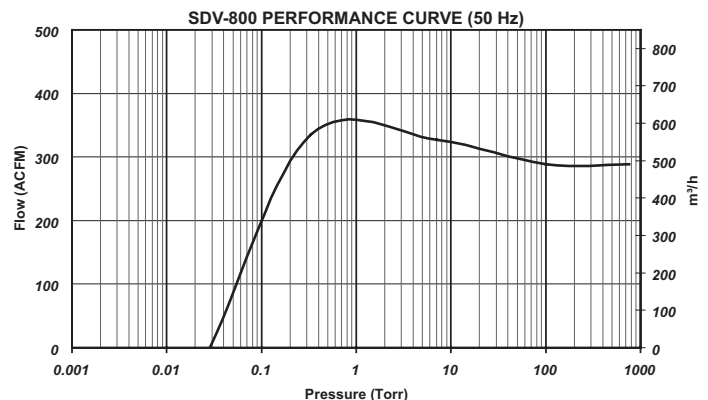
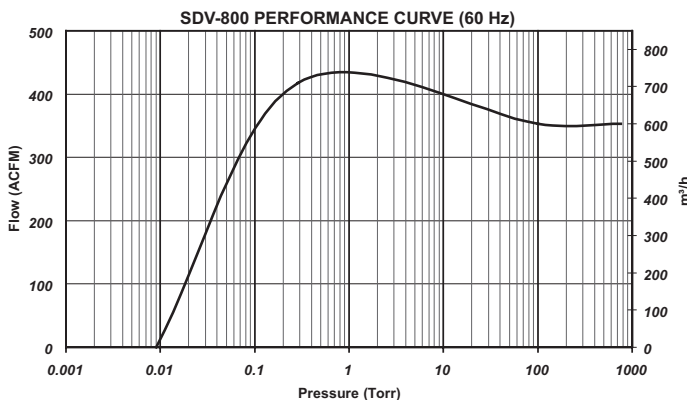


Kalrez® is a registered trademarks of E.I. duPont de Nemours and Company.

Specifications

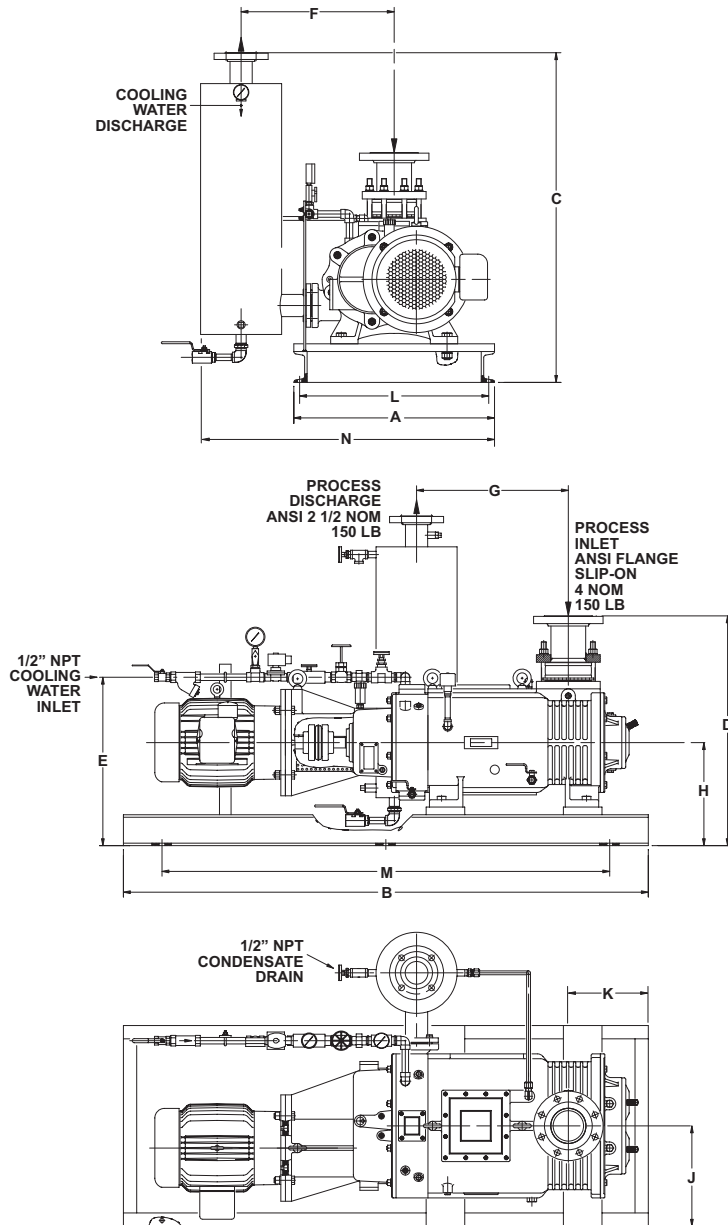
MODEL	CAPACITY (60 HZ) (50 HZ) CFM / m ³ /h	ULTIMATE PRESSURE (60 Hz) (50 Hz) Torr / mbar	ROTATION SPEED 60 Hz / 50 Hz	MOTOR HP	POWER CONSUMPTION 60 Hz / 50 Hz kW	SUCTION FLANGE (ANSI, 150# FF) in. / mm	DISCHARGE FLANGE (ANSI, 150# FF) in. / mm	COOLING WATER GPM / L/min	NOISE LEVEL dB(A)
SDV-800	441 / 750 368 / 625	0.01 / 0.013 0.03 / 0.04	3500 / 2900	20	13 / 11	4 / 100	2.5 / 65	5.3 / 20	85

Typical Pumping Speed Curves



Dimensions

Values shown are approximate and should not be used for construction. Certified drawings are available through your local Tuthill Vacuum & Blower Systems Sales Professional.



in. mm.	A	B	C	D	E	F	G	H	J	K	L	M	N	BARE SHAFT LBS kg	COMPLETE UNIT LBS kg
SDV-800	26 660	68 1727	42.71 1085	29.76 756	21.82 554	19.83 504	19.66 499	13.35 339	13 330	10.36 263	24.5 622	58 1473	38 965	1212 550	1970 894

Your Local Tuthill Vacuum Blower Systems Sales Professional:



Tuthill Vacuum & Blower Systems
 4840 West Kearney Street
 Springfield, Missouri USA 65803-8702
 o 417.865.8715 800.825.6937 f 417.865.2950
 tuthillvacuumblower.com

